

CATALOGUE  
**METAL  
CABINETS**



**mu  
ma**

**BASE 5**  
DRAWERS  
**CABINET**



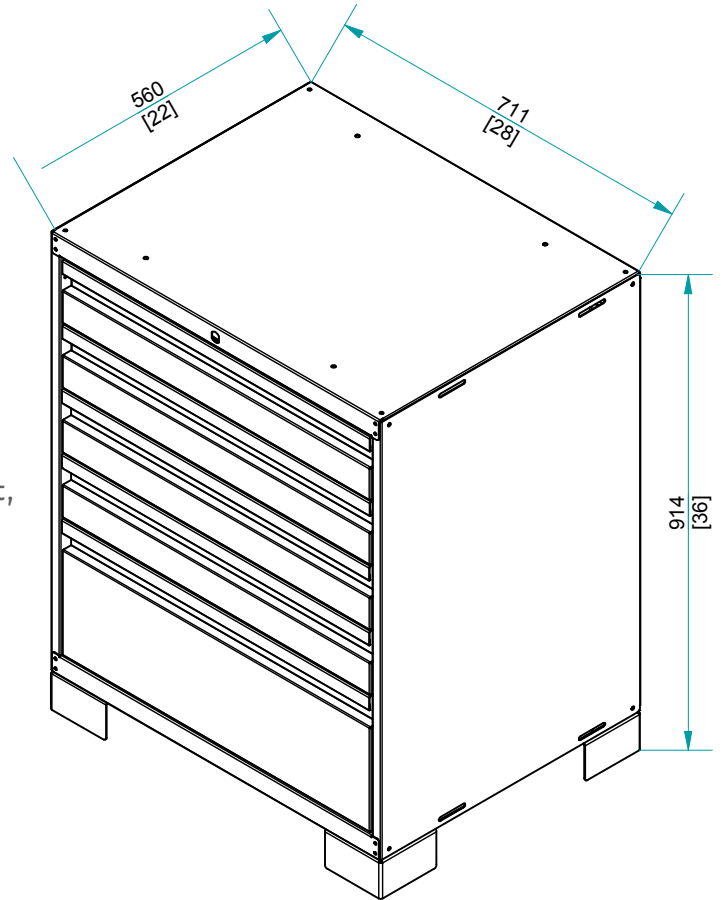
# 5 Drawers Base Cabinet

**Size:**  
28"W x 22"D x 36" H

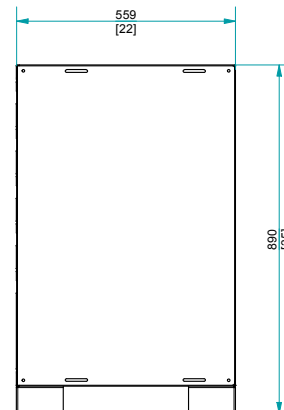
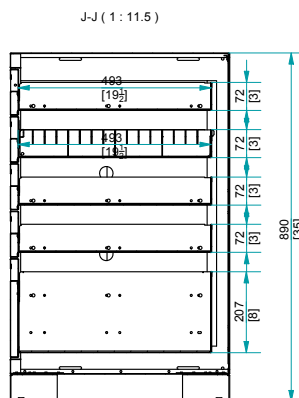
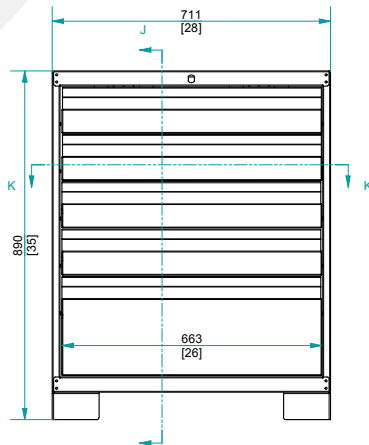
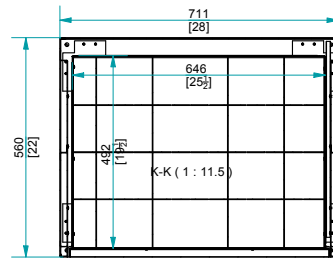
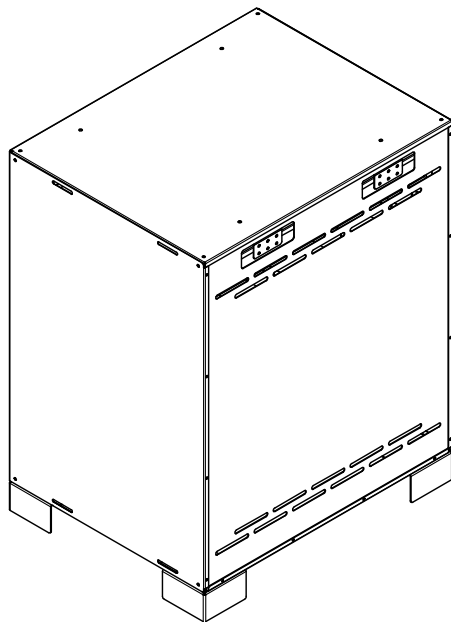
**Metal Body:**  
Cold Rolled Steel Gauge 18.  
Full welded , Metallic powder coating,  
Stackable.

**5 Drawers:**  
Cold Rolled Steel Gauge 18. with reinforcement,  
Metallic powder coating. Panel with  
reinforcement. 19" full extension sliders, Soft  
mat inside Drawer.

**Legs:**  
Cold rolled steel gauge 14. With adjustable  
glide levelers M8.



## Paint



**2 DOORS**  
BASE  
**CABINET**



# 2 Doors Base Cabinet

**Size:**

28"W x 22"D x 35" H

**Doors:**

Cold Rolled Steel Gauge 20. Soft Close Hinges, Metallic powder coating, Lock System, Handle easily exchangeable, back Cover Cold Rolled Steel Gauge 20 to protect Lock System with a master Key

**Metal Body:**

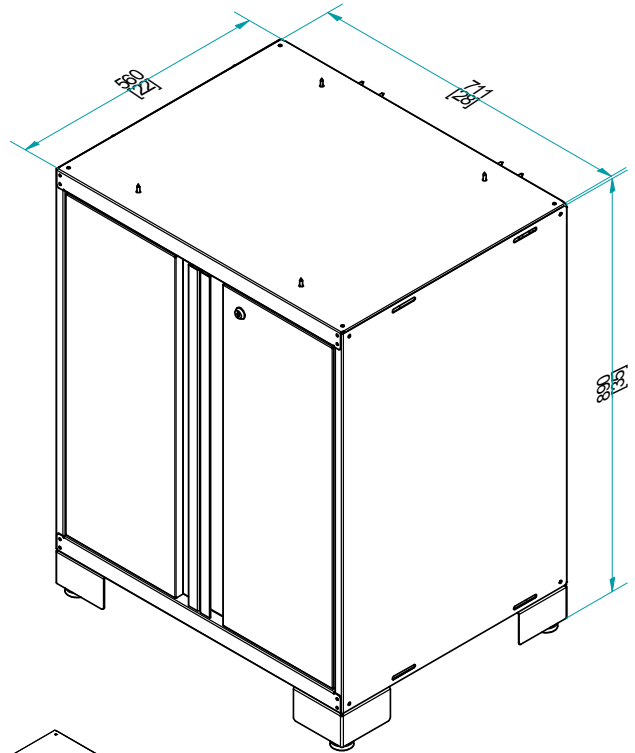
Cold Rolled Steel Gauge 18. Full welded, Metallic powder coating, Stackable.

**2 Sliding-Out trays:**

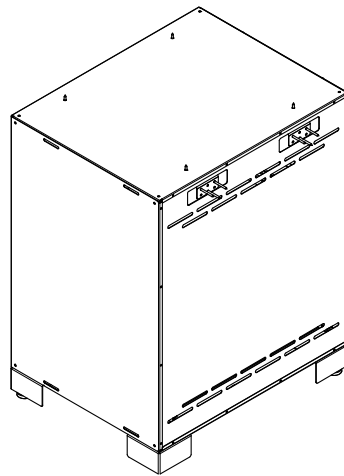
Cold Rolled Steel Gauge 18. with reinforcement, Metallic powder coating. panel with reinforcement. 19" full extension sliders

**Legs:**

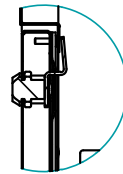
Cold Rolled Steel Gauge 14. With Adjustable glide Levelers M8.



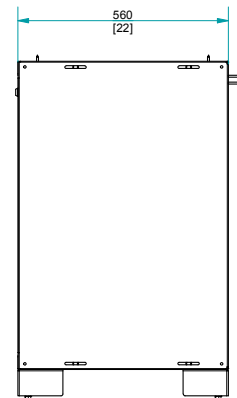
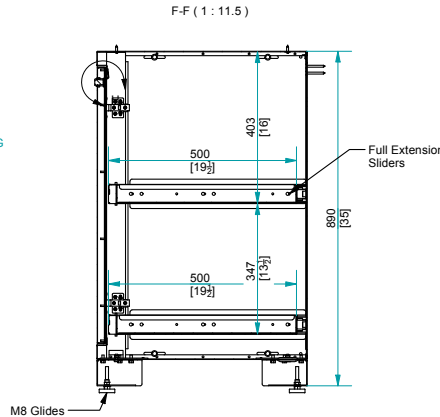
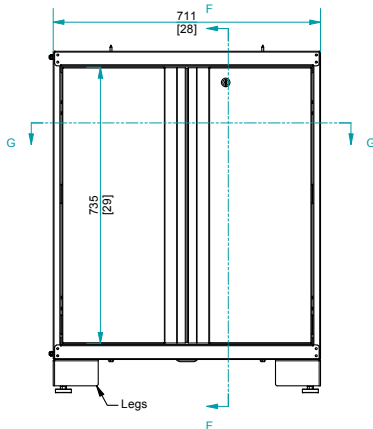
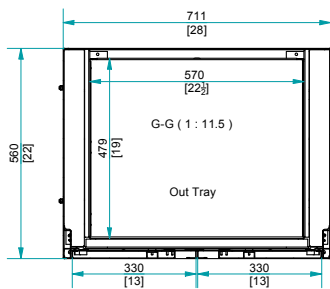
## Paint



H (0,17 : 1)



Lock System



# WALL CABINET



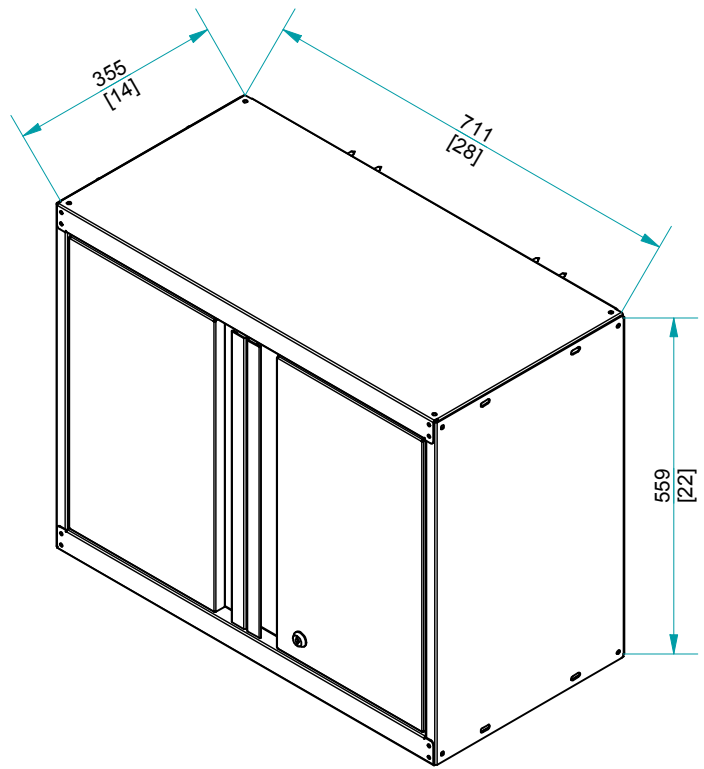
# Wall Cabinet

Size: 28"W x 14"D x 22" H

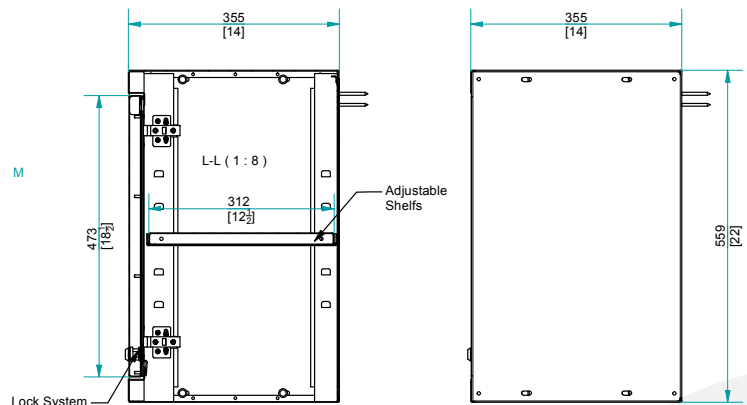
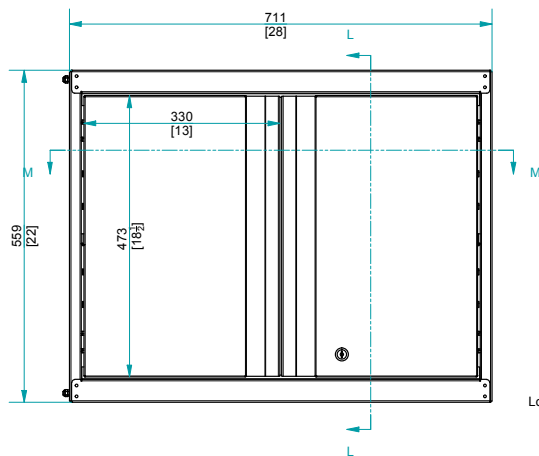
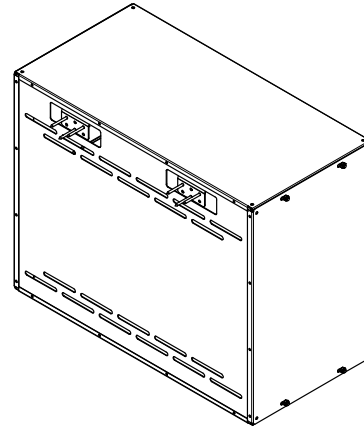
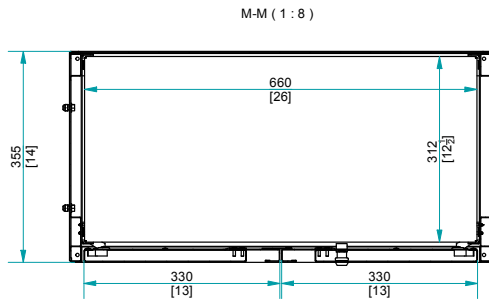
**Metal Body:** Cold Rolled Steel Gauge 18. Full welded. Metallic powder coating. Stackable.

**Doors:** Cold Rolled Steel Gauge 20. Soft Close Hinges. Metallic powder coating. Lock System. Handle easily exchangeable, back Cover Cold Rolled Steel Gauge 20 to protect Lock System with a master Key.

**1 Adjustable shelf:** Cold Rolled Steel Gauge 18, with reinforcement. Metallic powder coating, panel with reinforcement.



## Paint



# LARGE CABINET





# Large Cabinet

Size: 36"W x 24"D x 84" H

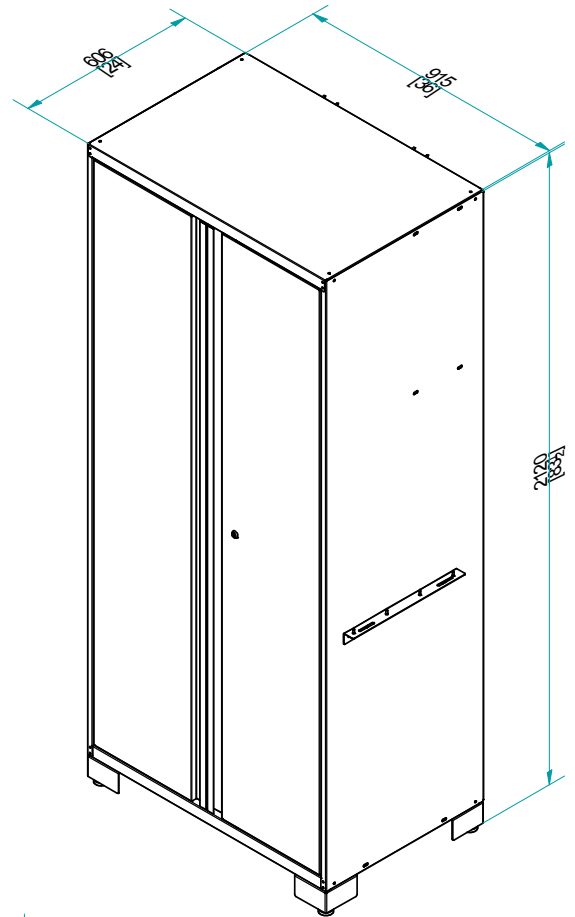
**Doors:** Cold Rolled Steel Gauge 20. Soft Close Hinges, Metallic powder coating, Double Pin Lock System, Handle easily exchangeable, back Cover Cold Rolled Steel Gauge 20 to protect Lock System with a master Key.

**Metal Body:** Cold Rolled Steel Gauge 18. Full welded, Metallic powder coating.

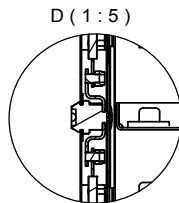
**5 Adjustable shelves:** Cold Rolled Steel Gauge 18. with reinforcement, Metallic powder coating. panel with reinforcement.

**Legs:** Cold Rolled Steel Gauge 14. With Adjustable glide Levelers M8

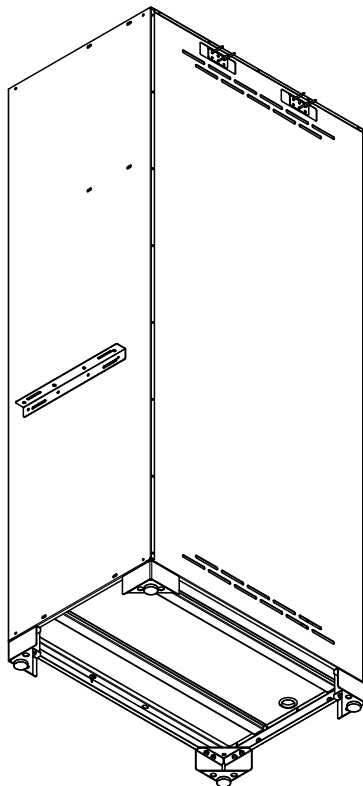
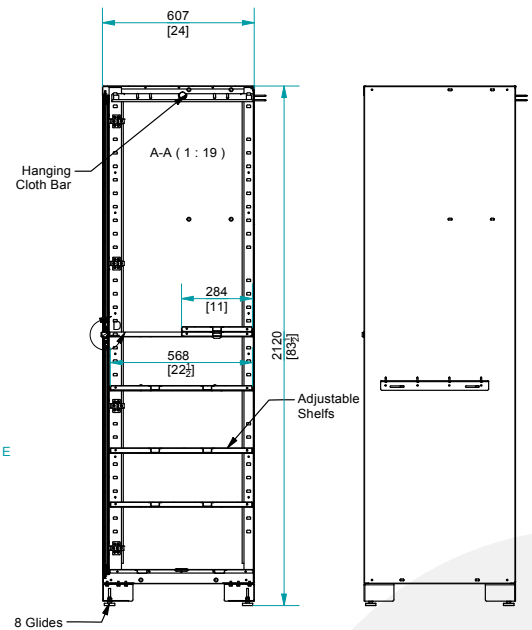
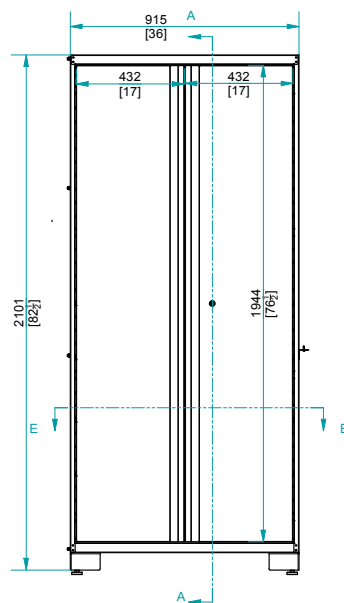
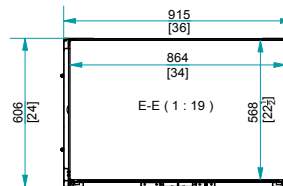
**Hanging cloth bar:** Tube Round 1 1/4" + Cold Rolled Steel Gauge 14. With Wire 8 mm



## Paint



Lock System



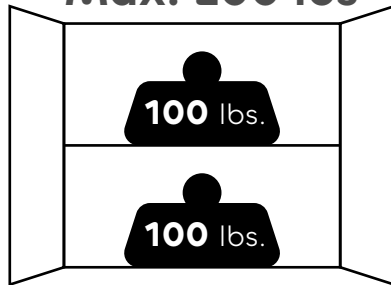


# WEIGHT CABINETS CAPACITY

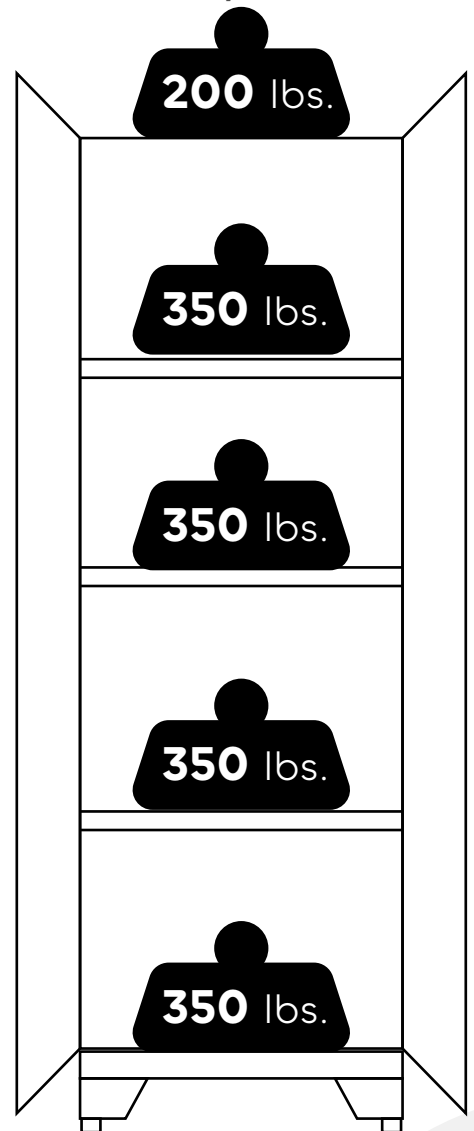


# Weight cabinets capacity

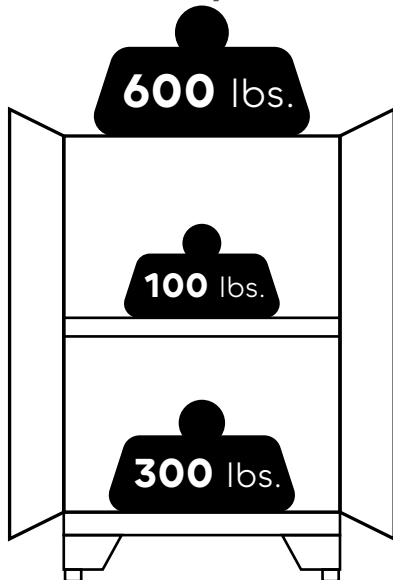
**Wall Cabinet**  
Max. 200 lbs



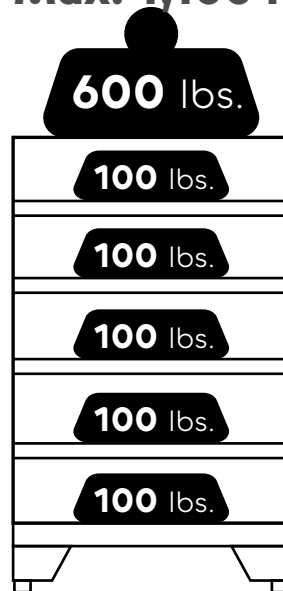
**Large Cabinet**  
Max. 1,600 lbs



**2 Doors Base Cabinet**  
Max. 1,000 lbs



**5 Drawers Base Cabinet**  
Max. 1,100 lbs







## METAL CABINETS

There are many benefits in investing in garage storage and organization systems to tidy up all that clutter. The first and most obvious benefit is that the garage organizes and clears floor space. Many homeowners use their garage as a junk room, throwing items there and failing to organize them effectively. But once you start making use of storage shelves and solutions, you can free up floor space and start using your garage for storing your vehicle and walking around easily.

It is also much safer to keep your garage organized because they are often filled with tools, sharp items, and potentially dangerous accessories that could be hazardous to children, adults, and animals. It is also more aesthetically pleasing to step into a clean and tidy garage, where everything is neatly organized and stored.

You can spend more time in and get more use out of your garage if it is cleaner and more attractive. You can pursue DIY projects and find and use your tools more effectively with them organized on a pegboard or slat wall. You will also notice that your tools, sports equipment, and other items last longer when safely stored on racks and walls.



[www.muma.co](http://www.muma.co)